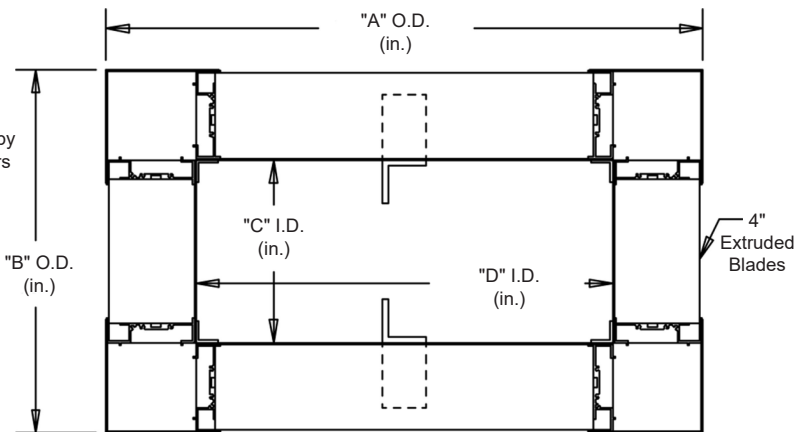
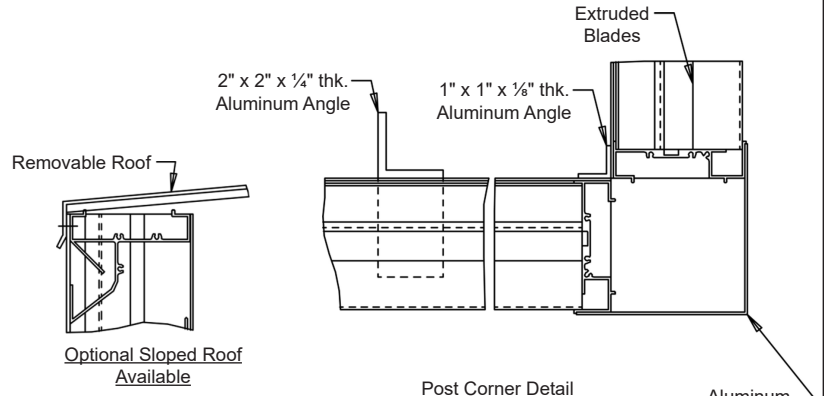
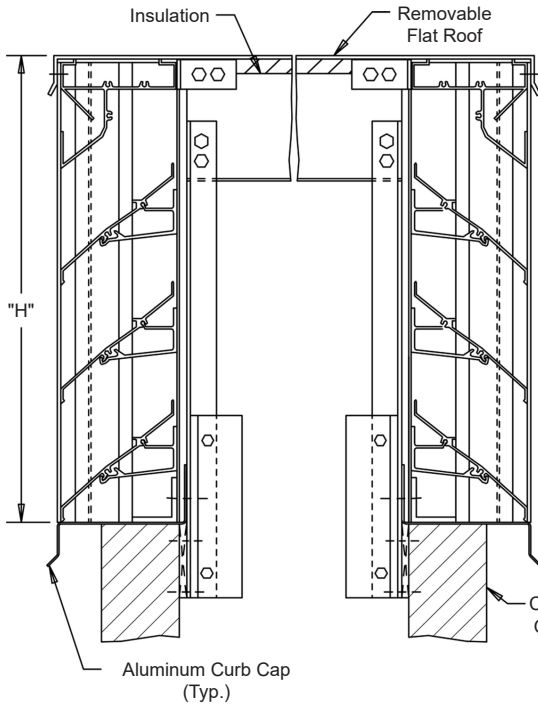


Interior Fastening Installation

ANGLES - All corners and intermediate to extend from roof into curb.



Continuous angle at the four corners and intermediate as required.

— Specifications —

MATERIAL: .081" thick (nominal) or .125" thick (nominal) extruded aluminum, 6063-T52/T6 alloy, with reinforcing rib bosses.

ROOF: .060" thick (nominal) sheet aluminum removable roof, reinforced with aluminum bracing where required to take a snow load of 40 lbs./sq.ft., plus a required safety factor.

SCREENS: (When indicated)
Bird Screen - 1/2" square mesh, 19 GA. galvanized steel, on interior.

INSULATION: Underside of roof is lined with 1/2" thick insulation.

NOTES: Penthouse dimensions "A" or "B" exceeding 84" shall be shipped in sections for field assembly by others.

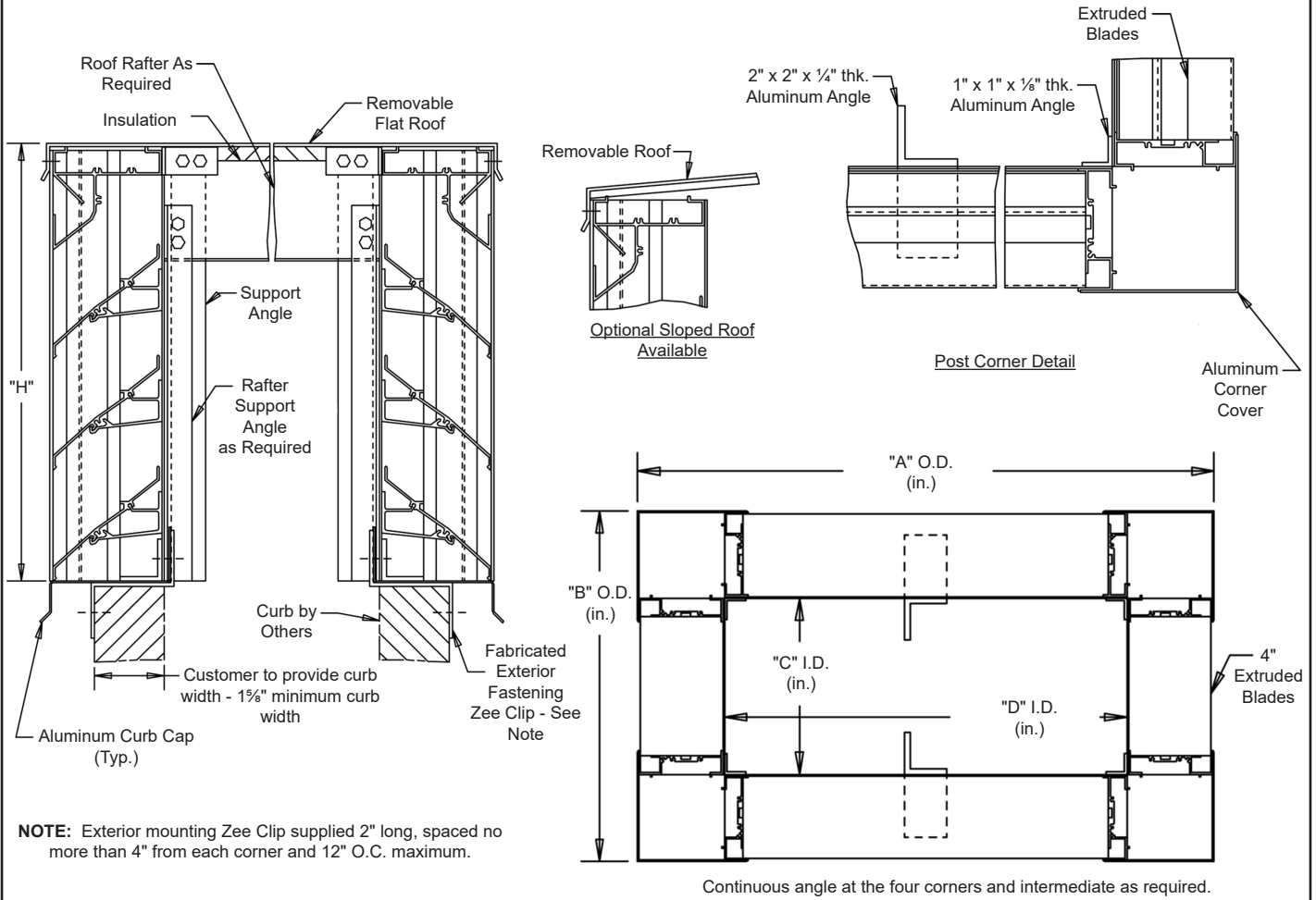
Item #	Qty	A	B	C	D	H	Mullion	Type	Location	Screens	
Arch. / Eng. :							EDR:	ECN:	Job:		
Contractor:											
Project:							Date:	DWN:	DWG:		

In the interest of product development, CESCO Products reserves the right to make changes without notice.



450 Riverside Dr • Wyalusing PA, 18853
Phone: 570-746-1888 • Fax: 570-746-9286
www.cescoproducts.com

Exterior Fastening Installation



Specifications

MATERIAL: .081" thick (nominal) or .125" thick (nominal) extruded aluminum, 6063-T52/T6 alloy, with reinforcing rib bosses.

ROOF: .060" thick (nominal) sheet aluminum removable roof, reinforced with aluminum bracing where required to take a snow load of 40 lbs./sq.ft., plus a required safety factor.

SCREENS: (When indicated)
Bird Screen - 1/2" square mesh, 19 GA. galvanized steel, on interior.

INSULATION: Underside of roof is lined with 1/2" thick insulation.

NOTES: Penthouse dimensions "A" or "B" exceeding 84" shall be shipped in sections for field assembly by others.

Item #	Qty	A	B	C	D	H	Mullion	Type	Location			
Penthouse Dimensions							Screens		Union Made			
Arch. / Eng. :						EDR:		ECN:		Job:		
Contractor:												
Project:						Date:		DWN:		DWG:		